

LME/LME-U/LME-N



Signal Tower

Silver Color Body
Model LME-U

Black Color Body
Model LME-N

LED



2 Alarm Sounds (FB Type)

90dB at 1m (FB Type)

IP65 (FB, L, K; IP54)

Ø60

Cable (LME-U)



NPN/PNP
Open-collector

Ivory-white Body
Model LME



Versatile, cost and energy efficient LED Signal Tower for every need.



High visibility
from any angle



Adjustable Volume
(Max. 90dB at 1m)



Dual Reflection System

PATLITE's original dual reflection system with its exclusive hybrid prism-cut lens and five color LED modules, creates a bright and evenly distributed illumination.

FEATURES

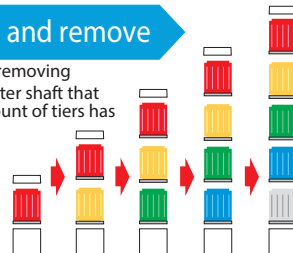
- PATLITE's exclusive hybrid prism-cut lens designed for enhanced visibility from any direction and distance.
- Original Dual Reflection System for enhanced light diffusion; creating bright, distinctive illumination while saving energy.
- Two built-in alarms (FB Type) with selectable sound patterns.
- Adjustable volume of up to 90dB (at 1m).
- Direct or pole mount installation.
- Interchangeable Modules need no re-wiring, even after installation.
- Main body is constructed of ABS resin with superior resistance to impact and heat. (U type has silver body and 3m cable)
- Lens is made of superior impact resistant and light translucent AS resin.
- NPN/PNP Compatible (Except 120/220V AC LME-U, compatible with NPN only).
- Available colors are in Red, Amber, Green, Blue, and Clear/White.
- Conforms to the CE requirements (for 24V type only).
- UL Recognized Components (File No. E215660; for 24V, 120V, 230V type only)



When ordering the clear-lens Signal Tower type, be sure to add "-Z" at the end of the part number when ordering.

Easy to add and remove

- When adding or removing modules, the center shaft that matches the amount of tiers has to be purchased.



Interchangeable LED Modules

Changeable color sequence: Easy to add/remove up to 5 colored modules even after installation.

Note: LED modules of the same color within a signal tower will light up simultaneously.

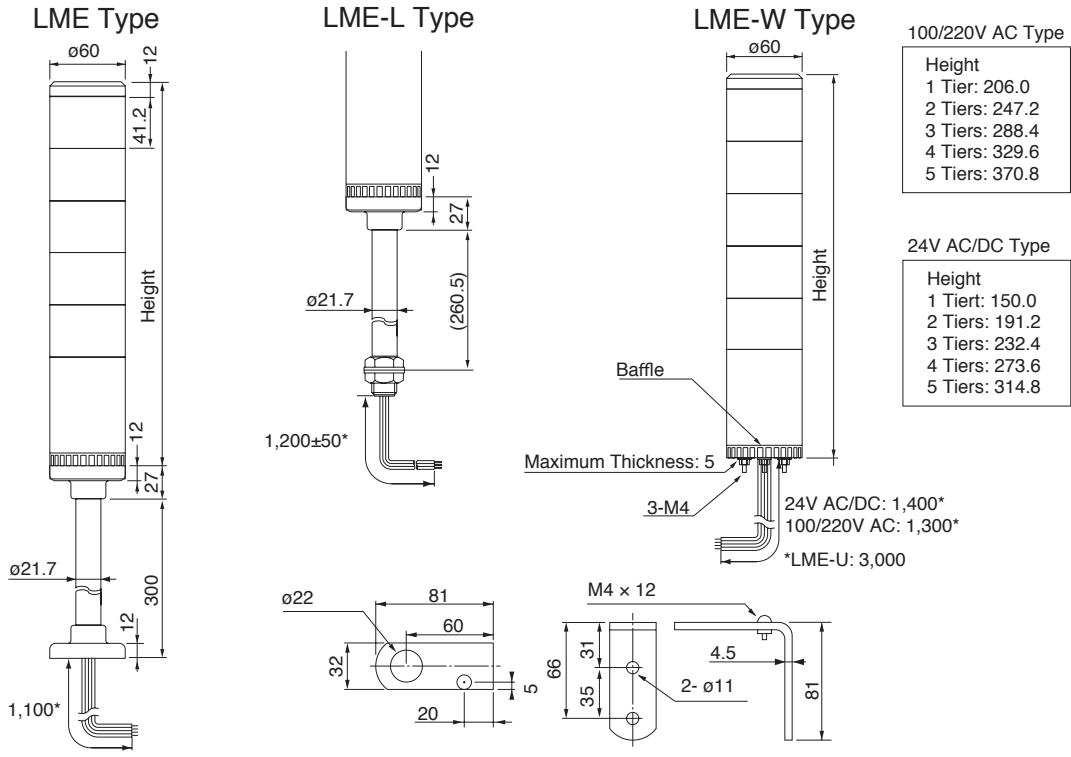
Wiring doesn't change

- The LED Module colors correspond to the wiring, so re-wiring is not necessary.

How to Order

LME- [] [] [] [] - [] [] [] []	
Model	Lens Color
Tiers	Blank: Colored Lens
1~5	Z: Clear Lens
Rated Voltage	LED Color
02: AC/DC 24V	R: Red
10: AC 100V	Y: Amber
12: AC 120V	G: Green
20: AC 220V	B: Blue
23: AC 230V	C: Clear/White
BodyColor	(Top to bottom)
Blank: Ivory White	
N: Black	
U: Silver	
Type	Mounting
Blank: Continuous Light	Blank: Pole Mount with circular mounting bracket
FB: Flashing/ Alarm	K: SZ-020 Pole Mount (for FB Type Only)
	L: SZ-013 Pole Mount
	W: Direct Mount

Dimensions (Unit: mm)



100/220V AC Type
 Height
 1 Tier: 206.0
 2 Tiers: 247.2
 3 Tiers: 288.4
 4 Tiers: 329.6
 5 Tiers: 370.8

24V AC/DC Type
 Height
 1 Tier: 150.0
 2 Tiers: 191.2
 3 Tiers: 232.4
 4 Tiers: 273.6
 5 Tiers: 314.8

Specifications

Stack Number	Model	Rated Voltage	Power Consumption	Mass		
				LME	LME-L	LME-W
1 Tier	LME-102	AC/DC 24V	2.2W	0.43kg	0.73kg	0.27kg
	LME-110	AC 100V	5.1W	0.68kg	1.06kg	0.52kg
	LME-112	AC 120V			—	
	LME-120	AC 220V			—	
	LME-123	AC 230V			—	
2 Tiers	LME-202	AC/DC 24V	3.4W	0.48kg	0.78kg	0.32kg
	LME-210	AC 100V	7.1W	0.73kg	1.10kg	0.57kg
	LME-212	AC 120V			—	
	LME-220	AC 220V			—	
	LME-223	AC 230V			—	
3 Tiers	LME-302	AC/DC 24V	3.8W	0.53kg	0.83kg	0.37kg
	LME-310	AC 100V	7.9W	0.78kg	1.14kg	0.62kg
	LME-312	AC 120V			—	
	LME-320	AC 220V			—	
LME-323	AC 230V	—				
4 Tiers	LME-402	AC/DC 24V	4.2W	0.58kg	0.88kg	0.42kg
	LME-410	AC 100V	8.7W	0.83kg	1.18kg	0.67kg
	LME-412	AC 120V			—	
	LME-420	AC 220V			—	
LME-423	AC 230V	—				
5 Tiers	LME-502	AC/DC 24V	4.6W	0.63kg	0.93kg	0.47kg
	LME-510	AC 100V	9.5W	0.86kg	1.22kg	0.72kg
	LME-512	AC 120V			—	
	LME-520	AC 220V			—	
LME-523	AC 230V	—				

Lead-wire color coordination table

LED Unit Color	Lead Wire Color
Red	Red
Amber	Orange
Green	Green
Blue	Blue
Clear/White	White

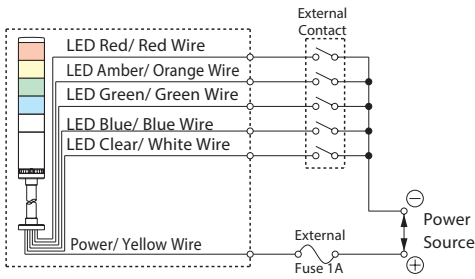
Alarm Sounds	Lead Wire Color
Buzzer 1	Purple
Buzzer 2	Skyblue

Signal Line voltage and current per LED Module

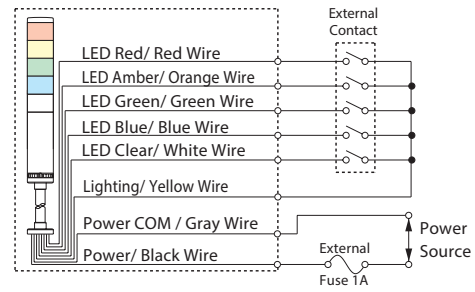
Rated Voltage	Signal Line Voltage	LED		Alarm	
		Signal Line	Current	Signal Line	Inrush Current
AC/DC 24V	AC/DC 24V	R, Y	G, B, C	Current	
AC 100V	DC 24V	50mA	20mA	40mA	250mA
AC 200V					

Wiring

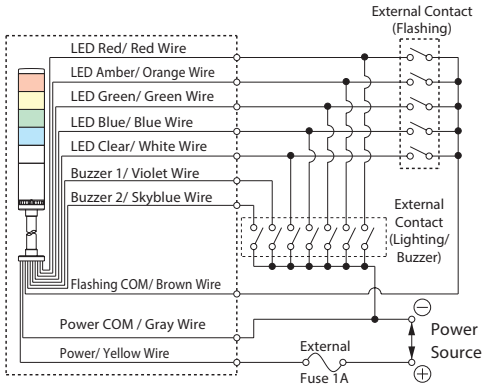
• DC 24V Lighting Type



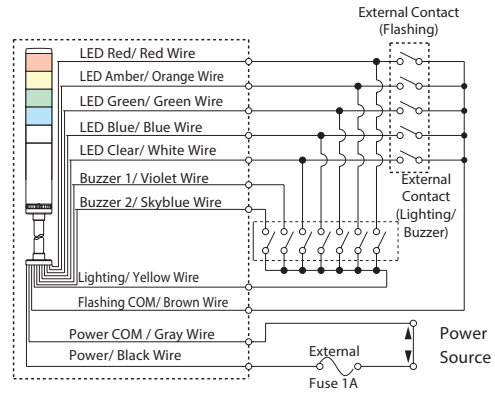
• AC Power Lighting Type



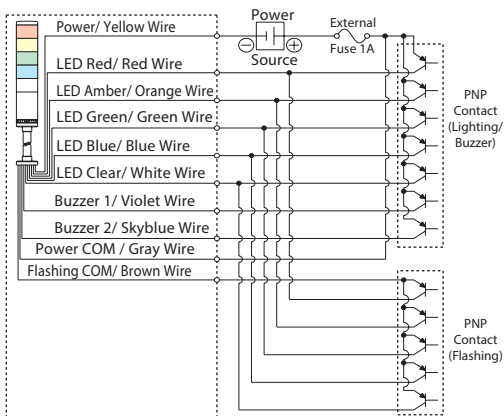
• DC 24V Lighting/Flashing Type



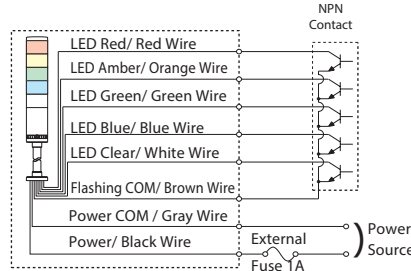
• AC Power Lighting/Flashing Type



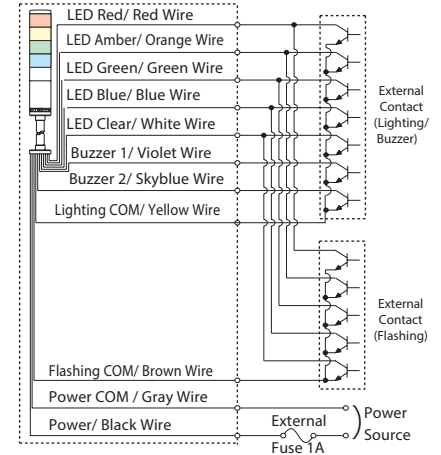
• DC 24V NPN FB Type



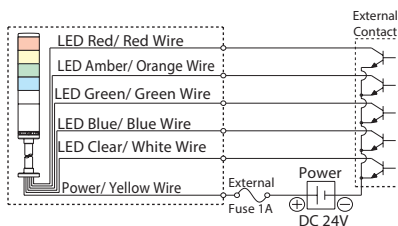
• AC Power NPN Type



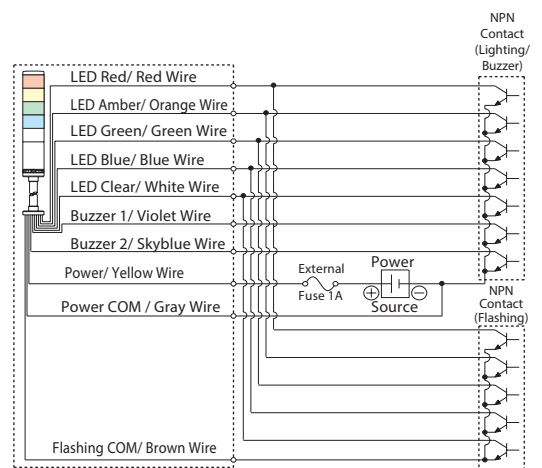
• AC Power NPN FB Type



• DC 24V NPN Type



• DC 24V PNP FB Type



• DC 24V PNP Type

