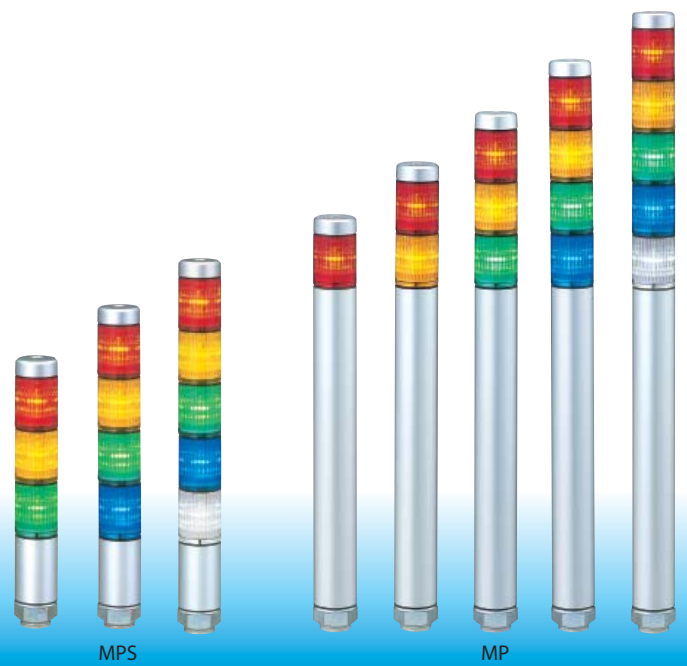


MP/MPS

Signal Tower



- LED
- IP65
- Ø30
- Cable
- NPN/PNP
Open-collector



Super slim 30mm silver body Signal Tower, ideal for small devices.

Patented reflection system increases visibility.



High-intensity LED Good visibility from any direction

FEATURES

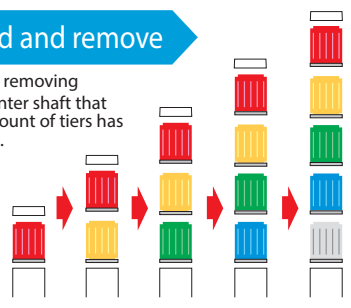
- PATLITE's exclusive hybrid prism-cut lens designed for enhanced visibility from any direction and distance.
 - Double-insulated construction for enhanced durability and safety in the work environment.
 - Direct mount installation with just a single hole.
 - Interchangeable Modules need no re-wiring, even after installation.
 - Main body is constructed of superior impact and heat resistant ABS resin.
 - Lens is made of superior weather resistant and light translucent AS resin.
 - Available Colors are in Red, Amber, Green, Blue, and Clear/White.
 - Conforms to the CE requirements.
 - UL Recognized Components (File No. E215660)
- AVAILABLE BY SPECIAL ORDER
- All Clear Lenses: Distinctive color recognition when operated with clear lenses (B0738 type).
 - Cable: Versatile and flexible 3m cable.



Optional MP-B Buzzer
(See pg. 199)

Easy to add and remove

- When adding or removing modules, the center shaft that matches the amount of tiers has to be purchased.



Interchangeable LED Modules

Changeable color sequence: Easy to add/remove up to 5 colored modules even after installation.
Note: LED modules of the same color within a signal tower will light up simultaneously.



Wiring doesn't change

- The LED Module colors correspond to the wiring, so re-wiring is not necessary.

How to Order

MP-502-RYGBC

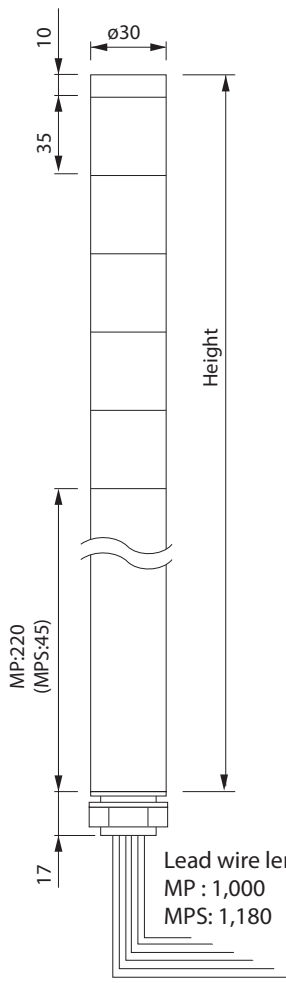
Model	MP : Standard Body MPS: Short Body	Tiers	1~5	Rated Voltage	02: AC/DC 24V	Color	R: Red Y: Amber G: Green B: Blue C: Clear/White (Top to bottom)
-------	---------------------------------------	-------	-----	---------------	---------------	-------	--

Clear Lens Type: Model No. with B0738

Specifications

Stack Number	Model	Rated Voltage	Power Consumption	Mass	
				MP	MPS
1 Tier	MP/MPS-102	AC/DC 24V	0.7W	210g	110g
2 Tiers	MP/MPS-202		1.4W	230g	130g
3 Tiers	MP/MPS-302		2.0W	250g	150g
4 Tiers	MP/MPS-402		2.6W	270g	170g
5 Tiers	MP/MPS-502		3.2W	290g	190g

Dimensions

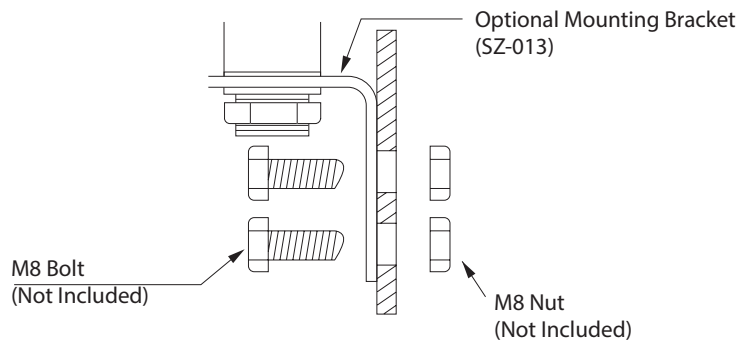
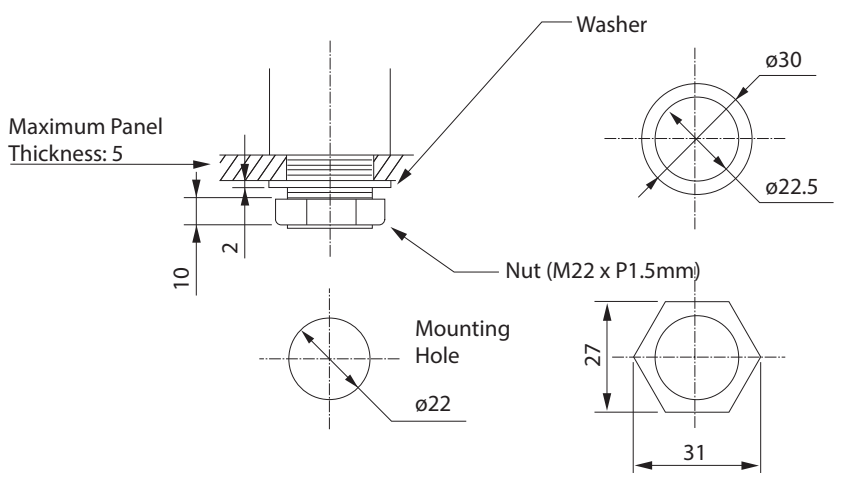


MP Type

Height
1 Tier : 265
2 Tiers: 300
3 Tiers: 335
4 Tiers: 370
5 Tiers: 405

MPS Type

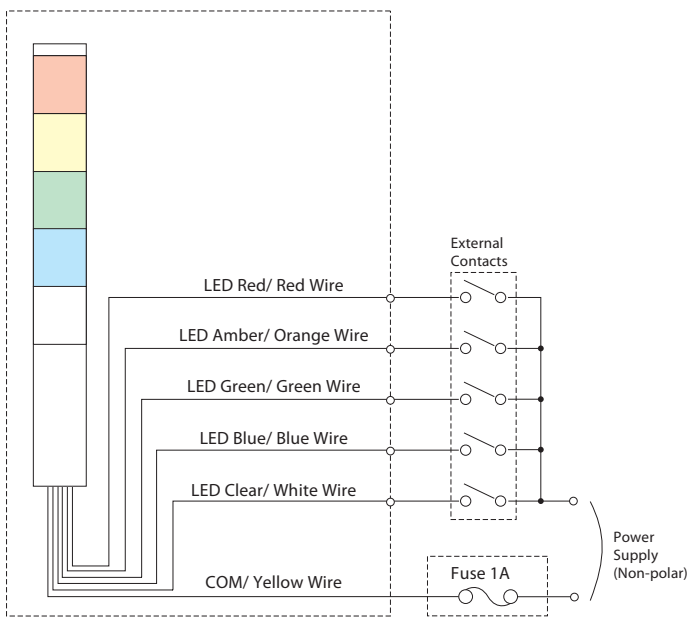
Height
1 Tier : 90
2 Tiers: 125
3 Tiers: 160
4 Tiers: 195
5 Tiers: 230



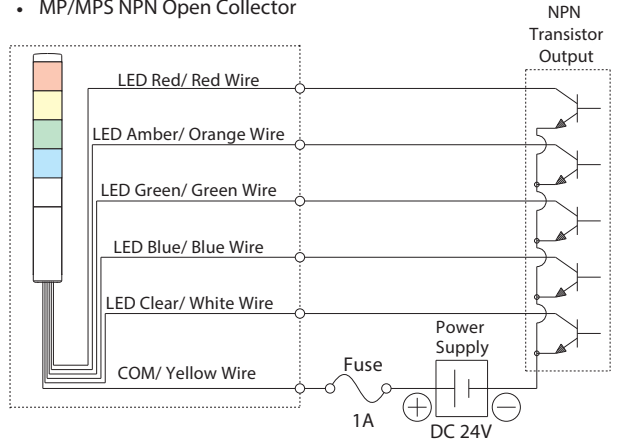
(Unit: mm)

Wiring

- MP/MPS Contact/ Switch



- MP/MPS NPN Open Collector



- MP/MPS PNP Open Collector

