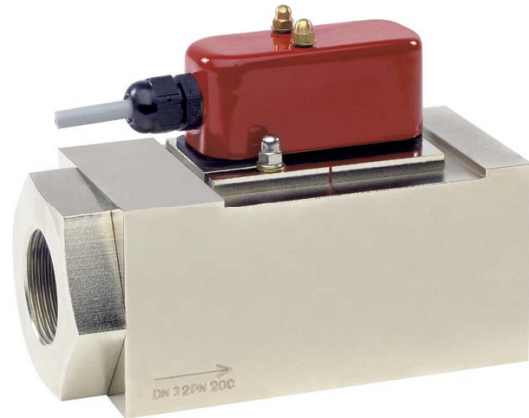


GENERAL CHARACTERISTICS

Mechanical Flow Switch for liquids or gaseous media, with spring-supported piston and magnetic triggering of a reed switch. Rugged construction in brass or stainless steel with additional viscosity compensation.

- * viscosity compensation 1-200mm²/s
- * robust metal switch head
- * good repeatability
- * dirt-resistance
- * high switch capability
- * hermetic separation of mechanical and electrical component

Female thread G1 1/4 to G2 brass/stainless steel



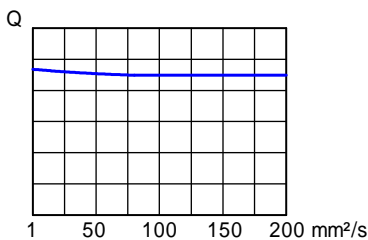
HR1MV-032GM060

TECHNICAL DATA

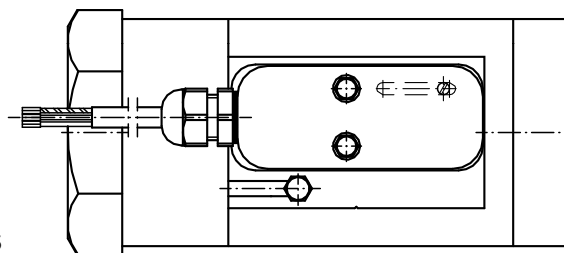
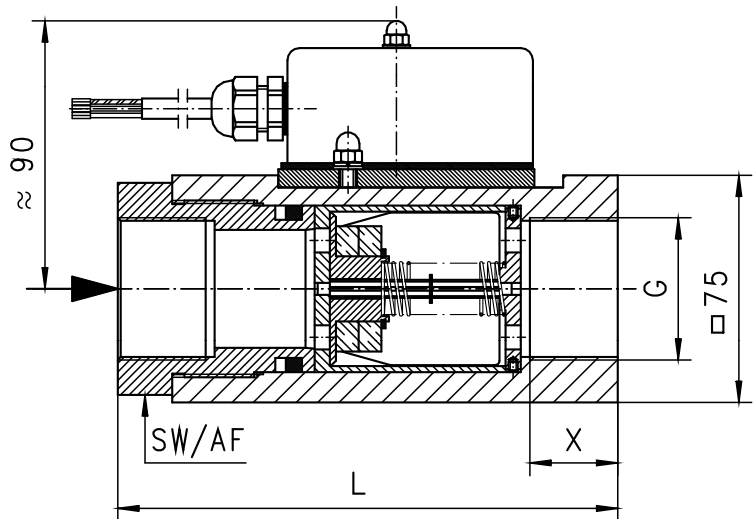
	G	Type	PN bar	Qmax. rec. l/min H ₂ O	adjustable range		L mm	X mm	AF mm	weight kg
					l/min	oil 1-200mm ² /s				
brass	G 1 1/4	HR1MV-032GM...	200	100	10 - 40	20 - 60	165	29	70	6.0
	G 1 1/2	HR1MV-040GM...	200	150	20 - 60	30 - 100	165	29	70	5.7
	G 2	HR1MV-050GM...	200	230	30 - 100	50 - 150	150	26	-	5.2
stainless steel	G 1 1/4	HR1MV-032GK...	200	100	10 - 40	20 - 60	165	29	70	6.0
	G 1 1/2	HR1MV-040GK...	200	150	20 - 60	30 - 100	165	29	70	5.7
	G 2	HR1MV-050GK...	200	230	30 - 100	50 - 150	150	26	-	5.2

Adjustable range is indicated for horizontally decreasing flow. Calibration with oil ISO VG64 - 80mm²/s.

viscosity stability ±3%
 tolerance ±5% of full scale
 media temperature max. 120°C
 average pressure loss 0.5 bar at Qmax.
 hysteresis depending on switch value
 value minimum 2 l/min.



Within the mechanical viscosity compensation the flow velocity in the piston area is increased sharply with the effect that the viscosity impact declines and the metering results stabilise even with changing viscosity ratings.

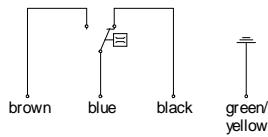


MATERIALS

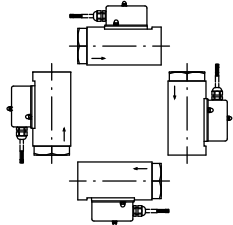
	HR1MV-...GM	HR1MV-...GK
body	brass Ms58 nickel plated	stainless steel 1.4571
metering unit	brass Ms58	stainless steel 1.4305
spring	1.4310	stainless steel 1.4310
magnet	hardferrite	hardferrite
seal	NBR (DN32-40 only)	viton (DN32-40 only)

ELECTRICAL DATA

reed switch - wiring 0.213 change over
250 V AC 1.5 A 50 VA
cable 2.5 m
protection class IP 65



MOUNTING POSITION



Installation position may influence switch value.

METERING SUBSTANCES



water



gas/air



oil

NOMENCLATURE

For combination see table "technical data"

HR1MV	032	G	M	040		basic type	
HR1MV					●	specification	
H1V					○	Flow Switch	
					●	Flow Indicator	
	-				●	without metering unit	
	O-				○	Flow Switch with lateral flow metering unit	
	Z-				○	Flow Switch with front flow metering unit	
					●	Description see next page.	
	032				●		
	040				●		
	050				●		
	065				○		
	080				○		
		G			●	nominal diameter	
			M		●	DN 32 - G1 1/4	
			K		●	DN 40 - G1 1/2	
				040	●	DN 50 - G2	
				060	●	DN 65 - G2 1/2	
				100	●	DN 80 - G3	
				150	●	female thread	
					○	brass	
					●	stainless steel	
					●	adjustable range	
				040	●		10 - 40 l/min
				060	●		20 - 60 l/min
				100	●		30 - 100 l/min
				150	●		50 - 150 l/min
					A ○	switch ATEX (produkt information 92.1.H1-2)	
					E ○	connection by local electronic (e.g. omni-HR1MV)	
Programme option					○	signal lamp / diode	
BASIC					○	plug DIN 43650-A	
Special option					□	setting / special ranges selected hysteresis / vibration-proof rhodium contact temperature control 30 - 100 °C switch head contact for locking plug M 12x1, 4-pole Tuchel Harting two to four independent switch heads	
VARIO							

IMPORTANT FOR YOUR ORDER

- Please indicate flow direction, metering substance and adjustable range with your order.
- With viscous liquids (>200mm²/s) please indicate viscosity, temperature and type of liquid (e.g. ISO VG 68! Range upon request)
- With gaseous media indicate pressure (relative or absolute), temperature and metering substance (adjustable range on request)

All technical changes reserved

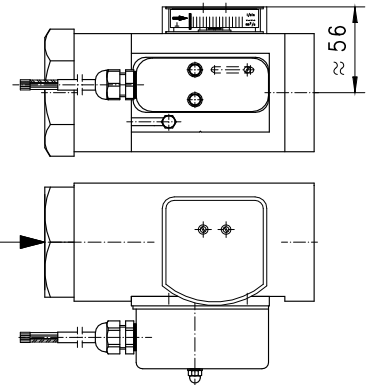
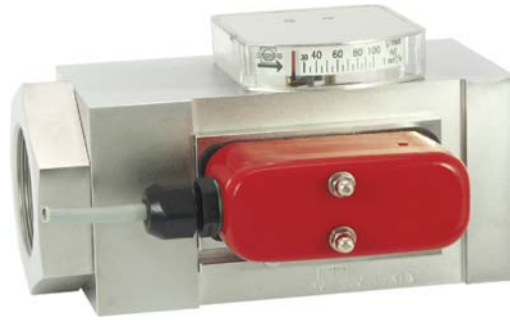
●BASIC Standard ○BASIC Programme option □VARIO Special option ⊕ PLUS Accessories ✗not recommendable

○ **HR1MVO-** Flow Switch with lateral flow metering unit



adjustable range	metering range
l/min H ₂ O 10 - 40	l/min H ₂ O 10 - 45
20 - 60	20 - 65
30 - 100	30 - 110
50 - 150	50 - 160

The metering range is indicated for horizontally increasing flow
 protection class IP 60
 additional weight 0.1kg

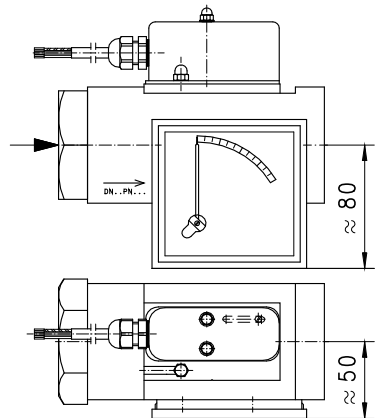


○ **HR1MVZ-** Flow Switch with front flow metering unit



adjustable range	metering range
l/min H ₂ O 10 - 40	l/min H ₂ O 10 - 45
20 - 60	20 - 65
30 - 100	30 - 110
50 - 150	50 - 160

The metering range is indicated for horizontally increasing flow
 media temperature max. 70°C
 protection class IP 40
 additional weight 0.1kg



EXAMPLES FOR FURTHER OPTIONS



nominal diameter DN 65



switch head option
ATEX



Flex-K-HR1MV
 switch- or frequency output
 0..10V or 4..20mA
 PNP, NPN



omni-HR1MV
 2xNPN and PNP switch point
 4(0)..20mA output
 graphical LCD display
 with flashing LED, program ring

All technical changes reserved

IBASIC Standard ○ BASIC Programme option □ VARIO Special option ⊕ PLUS Accessories

✗ not recommendable