

**GENERAL CHARACTERISTICS**

Flowmeter operates according to the variable area principle with a ball float moving flow-dependently in a conical metering tube.

\* full face scale print

male thread NPT1/4" PVC

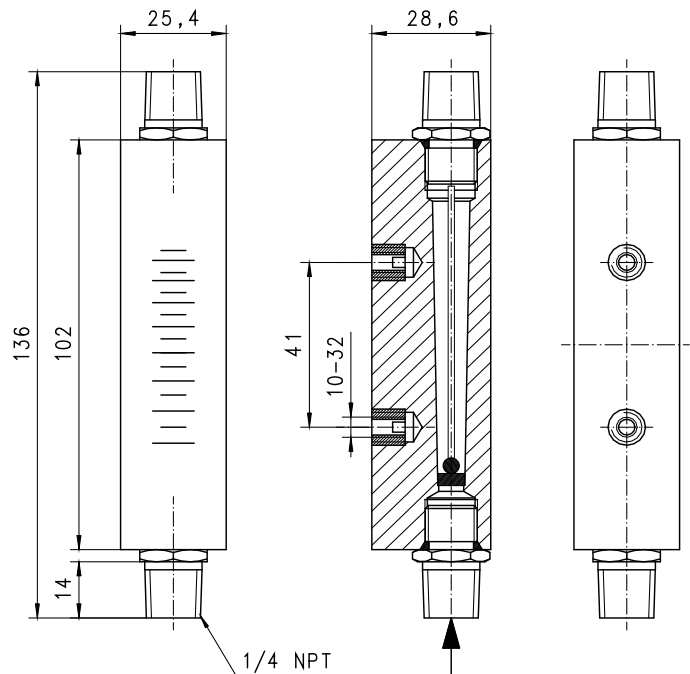


**UK-044AHW0050**

**TECHNICAL DATA**

	NPT	Type	PN bar	metering range	weight kg
H <sub>2</sub> O	NPT 1/4"	UK-044AHW0050	6	4 - 50 l/h	0.1
		UK-044AHW0100	6	15 - 100 l/h	
		UK-044AHW0230	6	30 - 230 l/h	
air	NPT 1/4"	UK-044AHL1700	6	200 - 1700 NI/h	0.1
		UK-044AHL3000	6	500 - 3000 NI/h	
		UK-044AHL8500	6	1000 - 8500 NI/h	

tolerance                    ±5% of full scale  
media temperature        max. 65°C



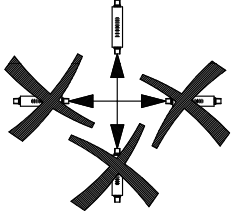
**MATERIALS**

housing                    acrylic  
float                        aluminum  
buffers                    stainless steel  
connectors                PVC  
seal                         NBR

**ELECTRICAL DATA**

No electrical components.

**MOUNTING POSITION**



**METERING SUBSTANCES**



water



gas/air

**NOMENCLATURE**

For combinations see table "technical data".

UK-	044	A	H	W0050		basic type
UK-					●	Flowmeter
	044				●	instrument series 044 , male thread NPT 1/4"
		A			●	male thread
			H		●	PVC
				W0050	●	metering range 4 - 50 l/h water 15 - 100 l/h water 30 - 230 l/h water 100 - 1700 NI/h air 500 - 3000 NI/h air 1000 - 8500 NI/h air
				W0100	●	
				W0230	●	
				L1700	●	
				L3000	●	
				L8500	●	
Special option					□	seal Viton
VARIO						special scales

**IMPORTANT FOR YOUR ORDER**

- With gaseous media indicate pressure (relative or absolute), temperature and metering substance, e.g. air (metering range on request)

All technical changes reserved

●BASIC Standard ○BASIC Programme option □VARIO Special option ⊕ PLUS Accessories ✗not recommendable