

Product Information

UI-010..050G / A M / K / P

Flow Switch UI-...G / A



- For media with ferritic components
- Low pressure loss
- Compact design
- Inductive proximity switch

Characteristics

The devices function via the principle of a spring-supported paddle, and the triggering of an inductive proximity switch.

Technical data

Switch	inductive proximity switch	
Nominal width	DN 10..50	
Process connection	brass / stainless steel - female thread G 3/8..G 1 brass / POM - male thread G 1/2 A (further process connections available on request)	
Adjustment range	1.7..55 l/min	for details see table "Ranges"
Q_{max.}	to 150 l/min	
Tolerance	±5 % of full scale value	
Pressure resistance	PN 16 bar	
Medium temperature	-20..+60 °C	
Ambient temperature	-20..+60 °C	
Media	water (oils and gases available on request)	
Wiring	no. 0.319 (Z=Load)	
	<p>PNP</p> <p>optionally</p> <p>NPN</p>	
Supply voltage	10..30 V DC	
Current consumption	< 10 mA	

Current under load	max. 100 mA
Voltage drop	< 3 V
Ingress protection	IP 67
Electrical connection	Cable 2 m
Materials medium-contact	POM GV, 1.4310, 1.4301, NBR Connection: CW614N nickelled or POM
Non-medium-contact materials	POM, CW614N nickelled, PVC
Weight	see table "Dimensions and weights"
Installation location	Standard: horizontal inwards flow; switching unit not recommended underneath; other installation positions are possible; the installation position affects the switching point and range.

Ranges

Details in the table correspond to horizontal inwards flow with decreasing flow rate.

G	DN	Switching value l/min H ₂ O Choose between	Types	Q _{max.} recommended
G 3/8	DN 10	2.0 - 4.0	UI-010G040	10
G 1/2 A	DN 15	1.7 - 2.5	UI-015A025	
G 1/2		4.0 - 6.0	UI-015G060	20
G 3/4	DN 20	6.0 - 8.0	UI-020G080	40
G 1	DN 25	10.0 - 17.0	UI-025G170	60
G 1 1/4	DN 32	18.0 - 27.0	UI-032G270	80
G 1 1/2	DN 40	28.0 - 37.0	UI-040G370	100
G 2	DN 50	45.0 - 55.0	UI-050G550	150

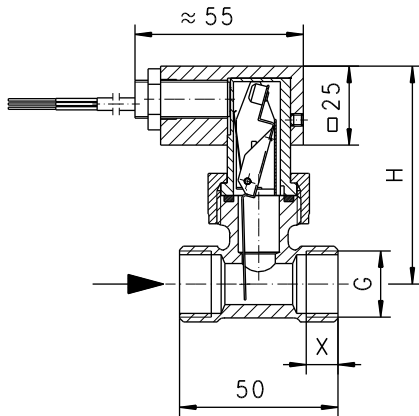
Special ranges are available.

Product Information

UI-010..050G / A M / K / P

Dimensions and weights

G	Types	H	L	X	Weight kg
G 3/8	UR.-010GM	69	50	10	0.40
G 1/2 A	UR.-015AM		60	12	
	UR.-015AP				
G 1/2	UR.-015GM	71	50	10	0.40
G 3/4	UR.-020GM			12	
G 1	UR.-025GM	74			0.45
G 1 1/4	UR.-032GM	79			0.50
G 1 1/2	UR.-040GM	82			0.60
G 2	UR.-050GM	91			0.80



Handling and operation

- Include straight calming section of 5 x DN in inlet and outlet
- If the media are dirty, install a filter.

Ordering code

UI - 1. - 2. 3. 4. 5.

○=Option

1. Nominal width										
010	DN 10 - G 3/8									
015	DN 15 - G 1/2									
	DN 15 - G 1/2 A									
020	DN 20 - G 3/4									
025	DN 25 - G 1									
032	DN 32 - G 1 1/4									
040	DN 40 - G 1 1/2									
050	DN 50 - G 2									
2. Process connection										
G	female thread								●	●
A	male thread									●
3. Connection material										
M	brass								●	●
K	stainless steel								●	●
P	POM (PN 10)									●
4. Switching range H ₂ O for horizontal inwards flow										
025	1.7 - 2.5 l/min									●
040	2.0 - 4.0 l/min									●
060	4.0 - 6.0 l/min									●
080	6.0 - 8.0 l/min									●
170	10.0 - 17.0 l/min									●
270	18.0 - 27.0 l/min									●
370	28.0 - 37.0 l/min									●
550	45.0 - 55.0 l/min									●
5. Output signal										
P	PNP									
N	○ NPN									

Options

- Switching ranges for oil or gas
- Special quantity

Ordering information

- Specify direction of flow, medium, and switching range.
- For oils, state viscosity, temperature and designation (e.g. ISO VG 68) (enquire about range).
- For gases, specify pressure (relative or absolute), temperature and medium (e.g. air) (enquire about range).